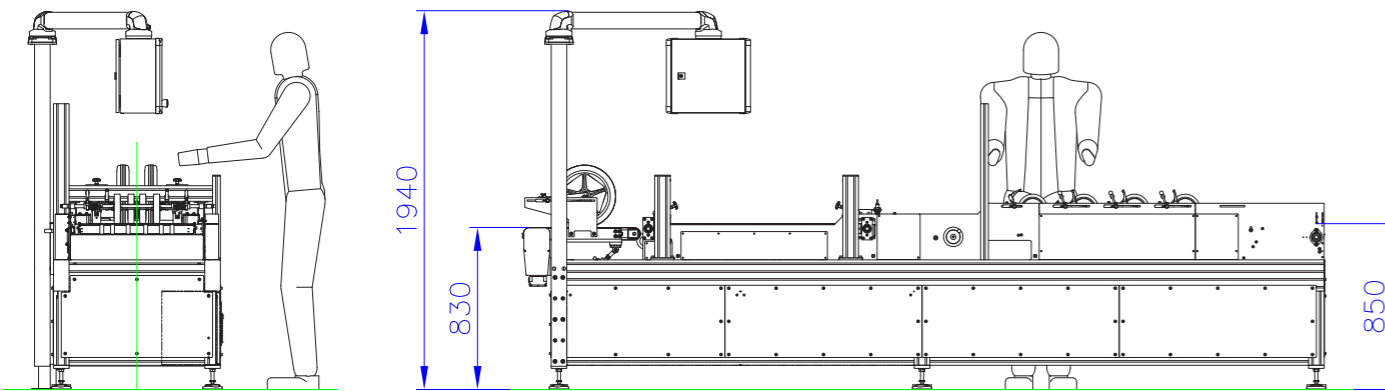


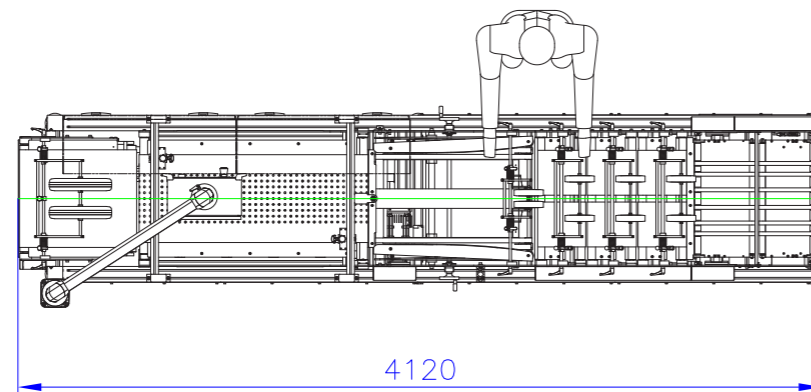
Technical Data	
Product orientation:	spine leading at infeed (other travel directions on request)
Performance:	up to 30.000 copies/hour (product permitting)
Product format L x W:	min. 145 x 180 mm (5,7" x 7,08") max. 320 x 450 mm (12,59" x 17,71") Shingle gap: 70 - 110 mm (2,75" - 4,33") Shingle stream thickness: up to 30 mm (1,18") Product thickness: up to 11 mm (0,43")
Paper weight:	35 - 140 g/m ²
Infeed height:	850 mm (33,46") (other on request)
Delivery height:	830 mm (32,67") (other on request)
Power & Voltage:	4 kW, 3 x 400 V AC + N + PE 50/60 Hz (other on request)
Color:	Light grey, RAL 7035

Changes to the technical specification are possible to a limited extent. For complete technical data, see data sheet.



Sample configuration:

- ▶ Infeed unit with waste gate
- ▶ Separation module
- ▶ Stream aligner
- ▶ Adjustable vakuum belt for Inkjet module
- ▶ Re-shingle module



in-line / off-line addressing made easy - flexible & modular!



Personalization

VarioMailer IN-VM

The IN-LOG VarioMailer IN-VM combines a flexible and modular conveying line with a high-performance inkjet system of your choice to a powerful solution for the personalization of high-volume print jobs.

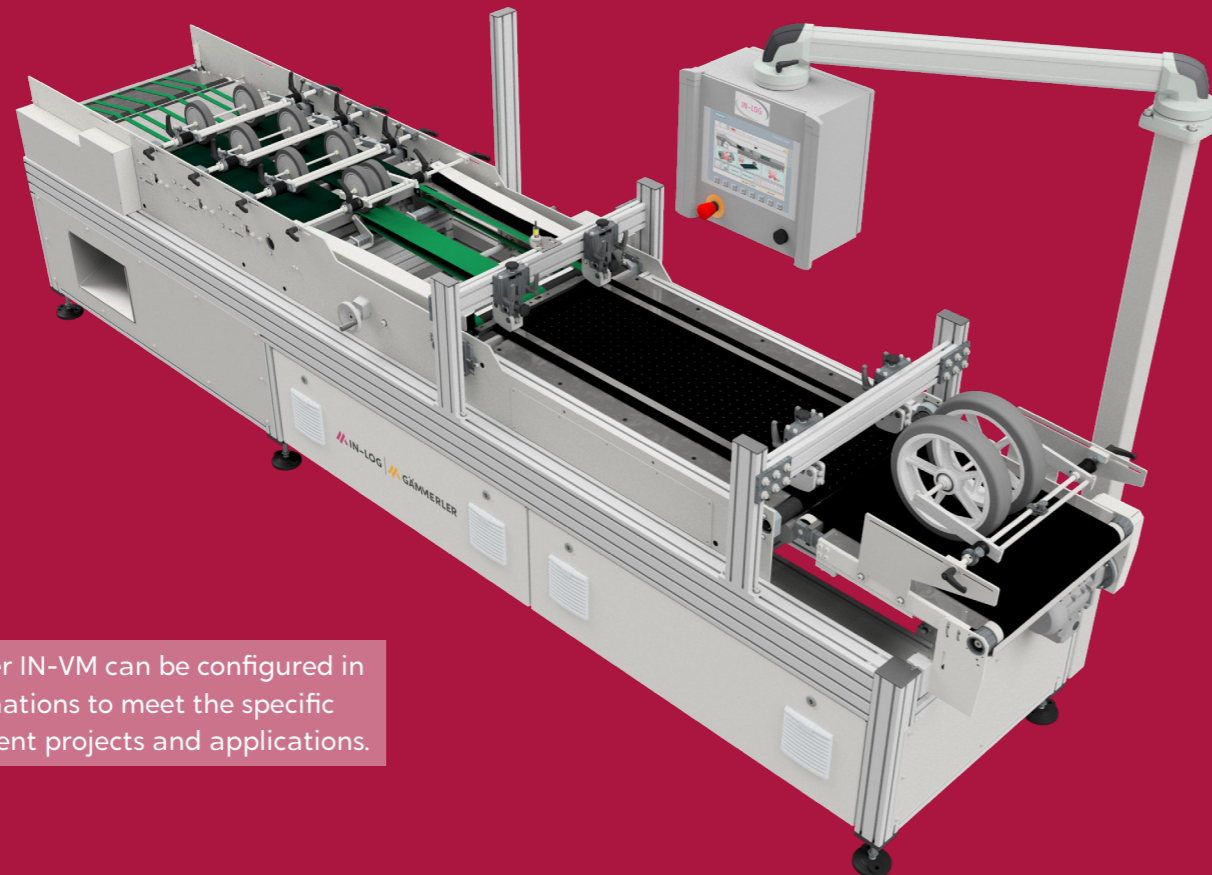
Whether you need to address magazines, newspapers or mailings, whether you need to personalize cover page or last page, whether you run the IN-VM in-line with a shingled stream of off-line behind a feeder – the VarioMailer will accurately print individual addresses at speeds of up to 30.000 cph.

Unique features & benefits

- ▶ Highly modular system to match different customer needs
- ▶ Easy and flexible configuration for individual solutions
- ▶ Can be installed as in-line or off-line solution in mailrooms, binderies,...
- ▶ High performance at up to 30.000 cph
- ▶ Infeed with skewed copy detection, reject gate, copy separation and stream aligner
- ▶ Printing section with vacuum belt, autom. product thickness compensation for consistent printing height
- ▶ Optional 180° copy turning unit - allows to print on either the front page or the last page of a product
- ▶ Highest safety standards with large doors for direct access to the machine
- ▶ Operator-friendly and easy set-up / control with a graphic commander
- ▶ Optional copy tracking / mail route software for bundles with individual count



Touch-Color-Display
with swivelling commander

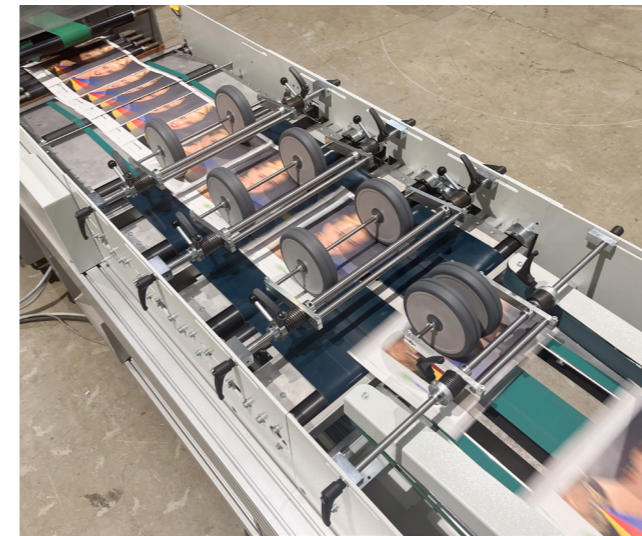


The VarioMailer IN-VM can be configured in several combinations to meet the specific needs of different projects and applications.

The system has a modular design and meets the need for flexible personalization of printed products in different applications (mailroom, bindery, personalized retail,...).

The modular „frame-in-frame“ design allows you to configure your individual VarioMailer: in-feed module - separation module - product centering (option) - 180° turning module (option) – vacuum belt with inkjet printer - re-shingle module - stacker (option).

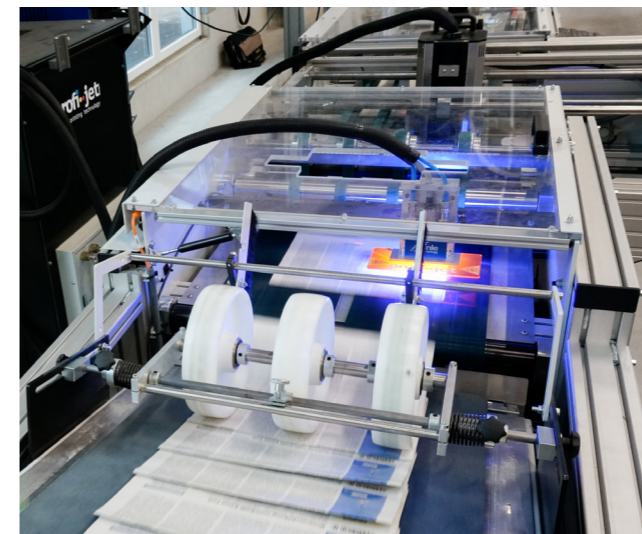
You can even add end-of-line automation with ERIC, our compact mini-robot. The VarioMailer IN-VM is suitable for all inkjet systems on the market and is especially optimized for UV-based inks.



▲ The best quality starts at the infeed: skewed product detection, height monitoring and reject gate. This is followed by our separation module & product centering for precise product positioning at the inkjet module.



▲ High flexibility: the turning module offers the option to flip the products by 180° in order to print either on the cover or on the last page. With a lifting platform the production can be easily changed between a straight vacuum belt or the 180° turning module.



▲ The inkjet module is equipped with a dynamic adjustment depending on product thickness and is suitable for all inkjet manufacturers.

Products are positioned with an accuracy of up to 0,5 mm (0,019") under the inkjet printer.



▲ After printing the newspapers, magazines, mailings, ... are re-shingled. This shingled stream of individually personalized products can now be stacked and palletized. In addition, an optional copy tracking system allows to read the routing information from a file and will build individual bundles for pre-defined drop points (ZIP code bundles / pallets).